



Elektrotechnik Karl-Heinz Mauz GmbH

RMP-14P/HT (Artikel-Nr. 180010)

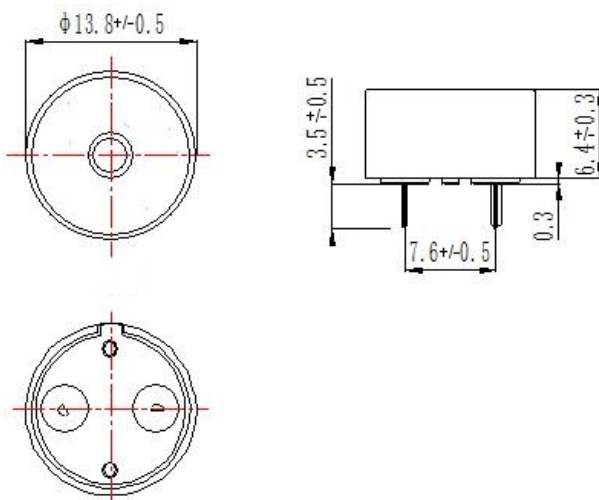
EKULIT

SPECIFICATIONS:

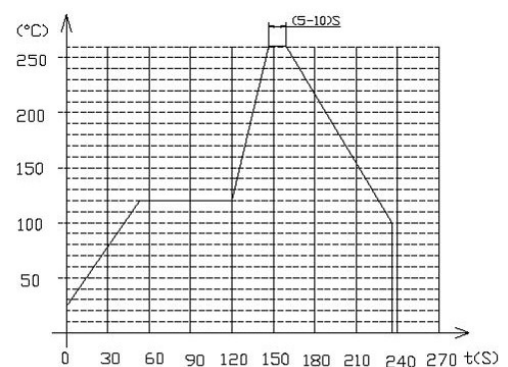
TYPE	UNIT	RMP-14P/HT
S.P.L.	dB	85dB Min. at 10cm/4.0KHz/9Vp-p Square Wave/Praxis
Max. Input Voltage	Vp-p	20
Frequency	KHz	4.0±0.5KHz
Housing Material	-	PBT/Black
Max. Current Consumption	mA	5mA Max. at 4.0KHz/9Vp-p Square Wave
Capacitance	pF	14.000±30% at 1kHz/1V
Operating Temperature	°C	-30~+85
Storage Temperature	°C	-40~+90
Weight	g	1.0
Soldering Technology	-	Hand Soldering: 380°C±30%, 1-2S
	-	Wave Soldering: 260°C, 5-10S
Packing	PCS	5.000PCS/CTN

DIMENSIONS :

(Unit: mm)



Wave Soldering :



Adresse: **Felix-Wankel-Str. 35 • 73760 Ostfildern/Nellingen**

Tel: **+49-711/3414023**

Fax: **+49-711/3414024**

E-mail: **info@ekulit.de** Web site: **www.EKULIT.de**